

SERIES 61L Full Quadrature Cycle Per Detent

FEATURES

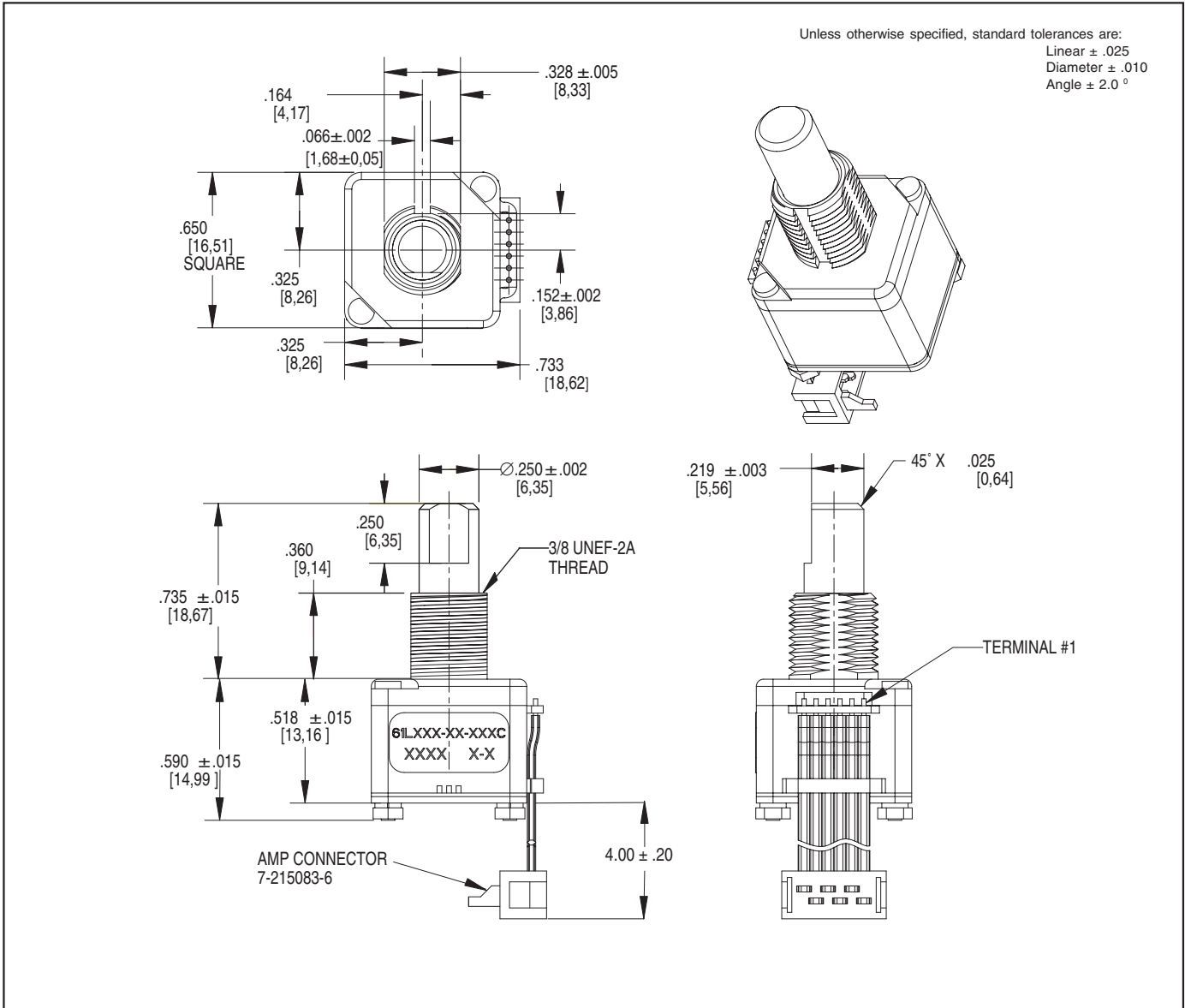
- .650 sq. inch package size
- Optically coupled for 1 million rotational cycles
- Optional integrated pushbutton
- Detented and non-detented versions available
- Available in 24 positions

APPLICATIONS

- Medical Devices
- Test and Measurement Equipment
- Other Scroll and Select Applications

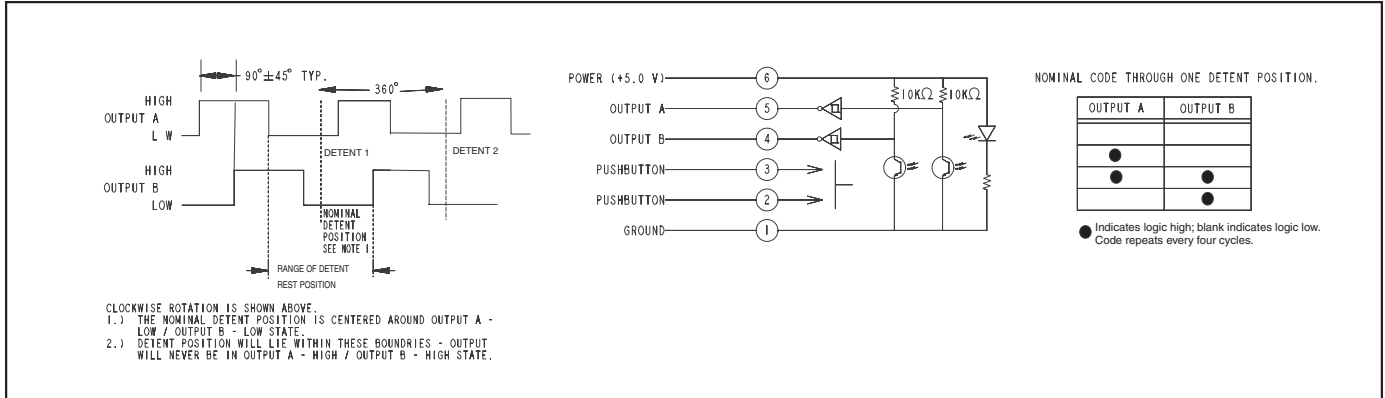


DIMENSIONS In inches (and millimeters)



Optical and Mechanical Encoders

CIRCUITRY, WAVEFORM AND TRUTH TABLE



SPECIFICATIONS

Environmental Specifications

Operating Temperature Range: -40° C to 85° C
Storage Temperature Range: -55° C to 100° C
Humidity: 96 hours at 90-95% humidity at 40° C

Mechanical Vibration: Harmonic motion with amplitude of 15g, within a varied frequency of 10 to 2000 Hz

Mechanical Shock:

Test 1: 100g for 6 ms half-sine wave with a velocity change of 12.3 ft/sec
 Test 2: 100g for 6 ms sawtooth wave with a velocity change of 9.7 ft/sec

Rotary Electrical and Mechanical Specifications

Operating Voltage: 5.00±.25Vdc
Supply Current: 30 mA maximum at 5Vdc

Output Code: Two-bit quadrature, channel A leads channel B by 90° electrically during clockwise rotation of the shaft.

Logic Output Characteristics:

Logic high signal shall be no less than 3.8 Vdc
 Logic low signal shall be no greater than 0.8 Vdc

Minimum Sink Current: 2.0 mA
Power Consumption: 150 mW maximum
Mechanical Life: 1 million cycles of operation for Medium, Low and Non-Detent. 1/2 million cycles of operation for High. One cycle is a rotation through all positions and a full return.

Average Rotational Torque: H= 6.0 ± 2.6 in-oz, M= 2.7 ± 1.8 in-oz, L= 1.4 ± 0.8 in-oz, N= <0.50 in-oz. Torque shall be within 50% of initial value throughout life.

Mounting Torque: 15 in-oz maximum
Shaft Push-Out Force: 45 lbs minimum
Shaft Pull-Out Force: 45 lbs minimum
Terminal Strength: 15 lbs minimum terminal pull-out force for cable or header termination
Solderability: 95% free of pinholes and voids

Pushbutton Electrical and Mechanical Specifications

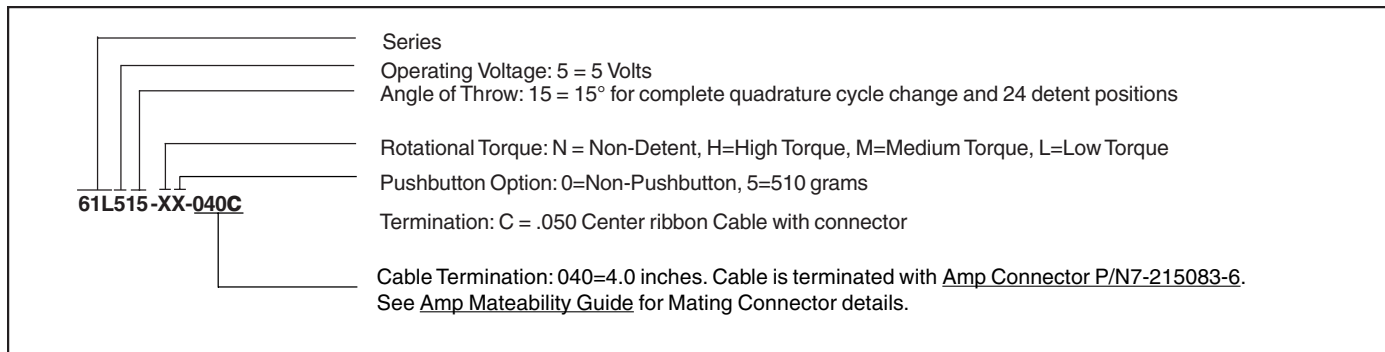
Rating: 50 mA at 12 Vdc
Contact Resistance: <10Ω
Life: 1/2 million actuations minimum
Contact Bounce: <4 ms make, <10 ms break
Actuation Force: 510 ± 150 grams
Shaft Travel: .025 ± .015 inch

Materials and Finishes

Bushing: Zinc
Shaft: Aluminum
Retaining Ring: Stainless Steel
Detent Spring: Music Wire
Detent Ball: High Carbon Chrome, Nickel finish
Code Housing: Polyamide Polymer, Hiloy 610
Aperture: Stainless Steel

Detent: Polyamide Polymer, Hiloy 610
Rotor Hub: Polyamide Polymer, Hiloy 610
Code Rotor: Stainless Steel
Printed Circuit Boards: Nema Grade FR4, Double Clad with Copper, Plated with Gold over Nickel
Infrared Light Emitting Diode Chips: Gallium Aluminum Arsenide
Silicon Phototransistor Chips: Gold and Aluminum Alloys
Resistor: Metal Oxide on Ceramic Substrate
Solder Pins: Brass, Plated with Tin
Tact Switch: Cover - Stainless Steel, contact Disc - Phosphor Bronze with silver cladding, terminal - brass with silver cladding, base - UL94V-0 Nylon 19: High Temp
Back Plate: Stainless Steel
Spacer: Nomex Type 410
Cable: Copper Standard with Topcoat in PVC Insulation
Connector: Glass filled Polyester, Tin/Nickel Phosphor Bronze
Label: TT406 Thermal Transfer Cast Film
Solder: 96.5% tin / 3% silver / 0.5% copper, no clean
Lubricating Grease: NYE Nyogel 774L
Studs: Stainless Steel
Lockwasher: Stainless Steel
Hex Nuts: Stainless Steel

Optical and Mechanical Encoders



Available from your local Grayhill Component Distributor. For pricing and discounts, contact a local Sales Office, an authorized local Distributor, or Grayhill.